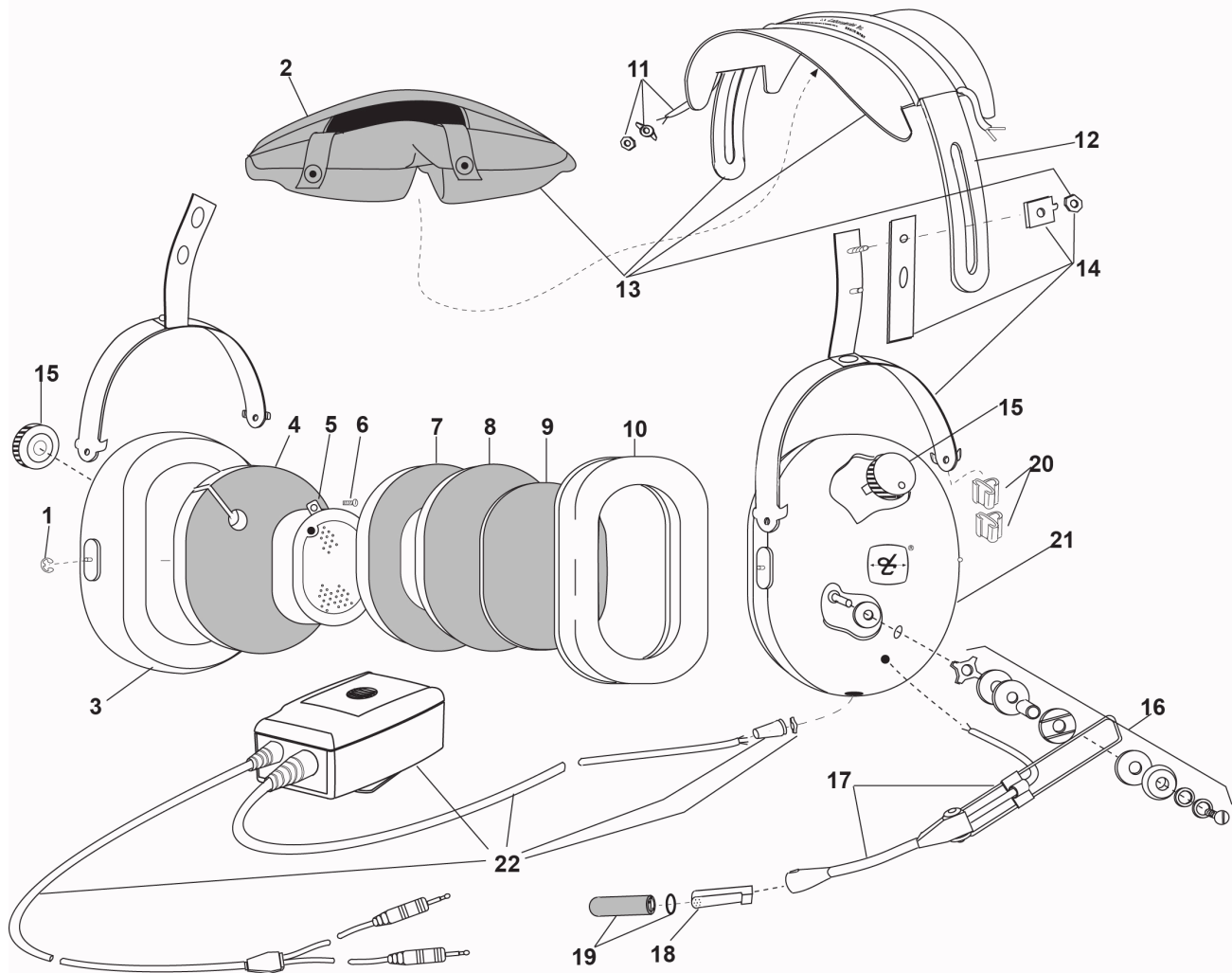




PARTS LIST
MODEL H10-13X



No.	Description	Part No.
1	Retaining Ring (10/pk)	00009M-03
2	Headpad Restraint, Foam	40867G-01
3	Right Dome	15253P-15
4	Filter, Outer, Yellow (1 each)	15511P-01
5	Module with Bracket	41090G-01
6	Screw/Grommet Kit (4 pk)	18900G-47
7	Filter, Middle, Charcoal (1 each)	15510P-01
8	Filter, Inner (1 each)	15509P-02
9	Filter, Cloth (1 each)	15512P-03
10	Undercut Gel Earseal (pair)	40863G-02
11	Overhead Cord Kit	22607G-12

No.	Description	Part No.
12	Headband Spring	15093P-01
13	Headband/Headpad Kit	40688G-36
14	Stirrup & Clamp Kit	22378G-12
15	Volume Control	09349P-40
16	Boom Attachment Kit	12840G-09
17	Mic Boom & Cord Assy	18740G-05
18	M-7A Electret Mic	09168P-33
19	Mic Protector	40062G-02
20	Clip, Cord (4/pk)	15350P-02
21	Left Dome	15253P-14
22	Comm Cord Kit w/9V Module	40599G-54

ELECTRICAL SCHEMATIC MODEL H10-13X

