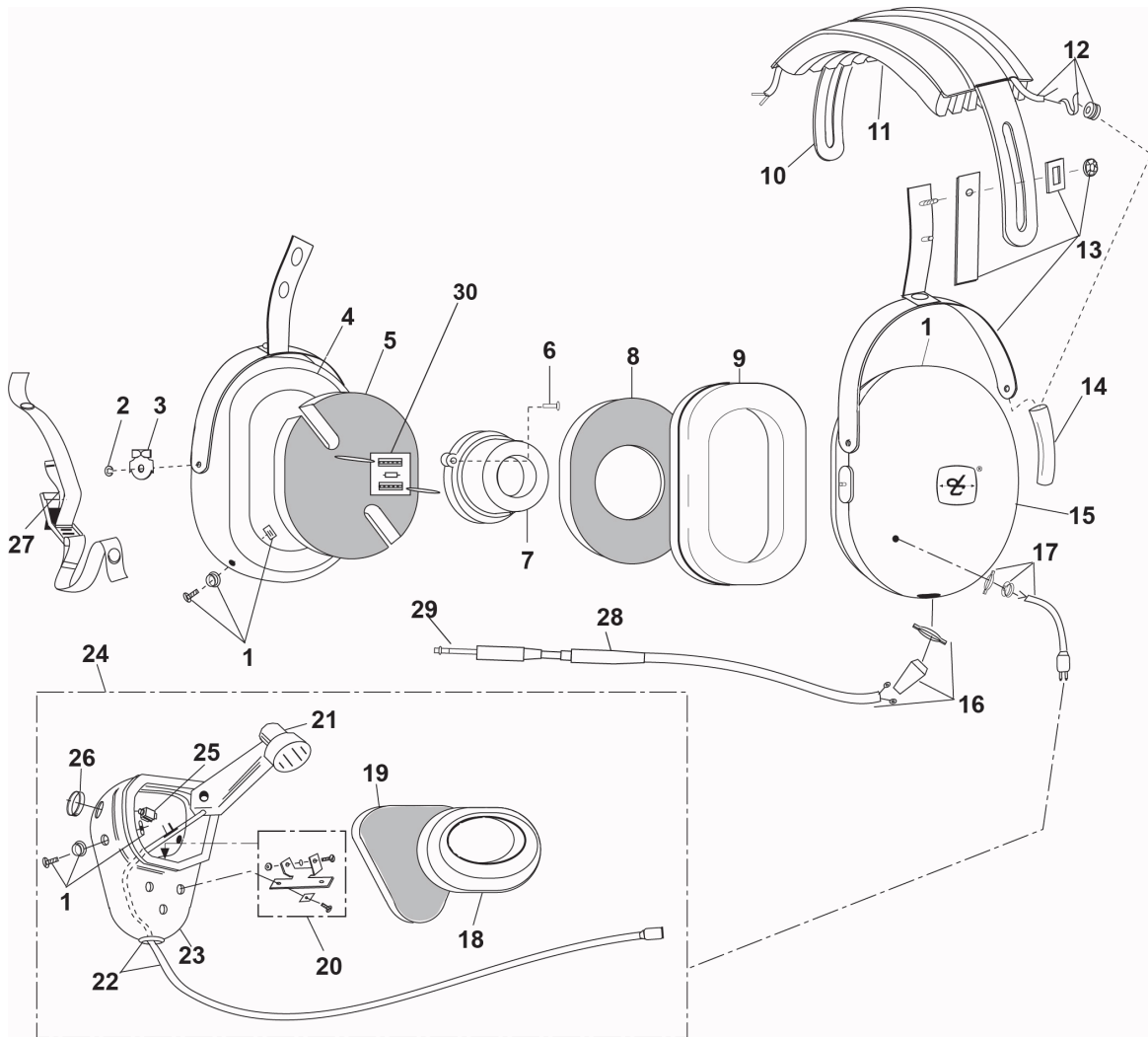


PARTS LIST
MODEL H3310



No.	Description	Part No.
1	Snap Stud Kit	18314G-01
2	Retaining Ring (10/pk)	00009M-03
3	Dome Stop	15097P-01
4	Dome, Right	11353P-45
5	Dome Filter (1 each)	26475P-02
6	Screw (10/pk)	13180P-03
7	Earphone Assembly	10376G-17
8	Filter (1 each)	25629P-03
9	Earseal (pair)	18316G-02
10	Headband Spring	25630P-01
11	Headpad Assembly	10133G-41
12	Overhead Cord Kit	22607G-01
13	Stirrup Assembly	22378G-01
14	Heat Shrinkable Tubing (10/pk)	18326G-01
15	Dome, Left (Microphone Side)	11353P-43

No.	Description	Part No.
16	Comm Cord Kit	18028G-08
17	Microphone Cord Assy Kit	18804G-02
18	Cushion, Mic Shield Assy	18417G-02
19	Mic Shield Filter (1 each)	24653P-02
20	Microphone Bracket Assy Kit	18317G-01
21	Microphone M-1/DC	12948G-08
22	Microphone Cord Assembly	18315G-06
23	Microphone Shield	11389P-09
24	Shield Assy with Microphone	18226G-03
25	Push-To-Talk Switch	26619P-18
26	Push Button Guard	26553P-01
27	Adjustable Strap Assembly	10479G-02
28	Bend Relief Sleeve	17836P-03
29	Electrical Connector Kit	18900G-42
30	PCB Assembly	18289G-13

ELECTRICAL SCHEMATIC
MODEL H3310

