



**C98-XXPN
 System Cable, Panel Mount
 P/N 40894G-XX**

INSTALLATION SHEET

The C98-XXPN System Cable interfaces an H9800-series headset/PTT switch with the David Clark Series 9800 Marine Intercom System. It comes pre-assembled to a metal plate which can be mounted to a flat surface. Also included is the 40688G-64 mounting kit. This sheet provides instructions for the proper installation and mounting of the C98-XXPN

<p align="center">The 40688G-64 Mounting Kit contains the following items:</p>	<p align="center">You will need the following tools to complete the installation:</p>
<ul style="list-style-type: none"> • (4) Stainless steel 1½-inch screws • (4) Stainless steel washers • (4) Stainless steel self-locking nuts 	<ul style="list-style-type: none"> • Drill • 7/8-inch & 5/32-inch drill bits • Philips head screwdriver • 5/16-inch wrench

Table 1: Connector Kit Parts & Tools Required

Procedure

1. Determine the location for the panel to be mounted. The customer's panel may be up to 7/8-inch thick.
2. Use the template in **Figure 3** to mark and drill the five holes.
3. Route cable through the 7/8-inch hole.
4. Verify the position of the panel.
5. Secure the panel using the 40688G-64 Mounting Kit, see **Figure 4**.
6. Route cable to the Master Station. The cable should be routed using under-deck conduits and be as far as possible from radio antenna coax cables and anywhere water may collect. Coil and tie-wrap any excess cable.
7. Determine which position this cable is for (Capt/Co-Capt/Pass) and connect cable to the appropriate connector on the Master Station.
8. To connect the cable to the Master Station, align keyways and push. Then firmly turn collar clockwise until it locks into place. Pull back on the cable gently to ensure that it does not come out.

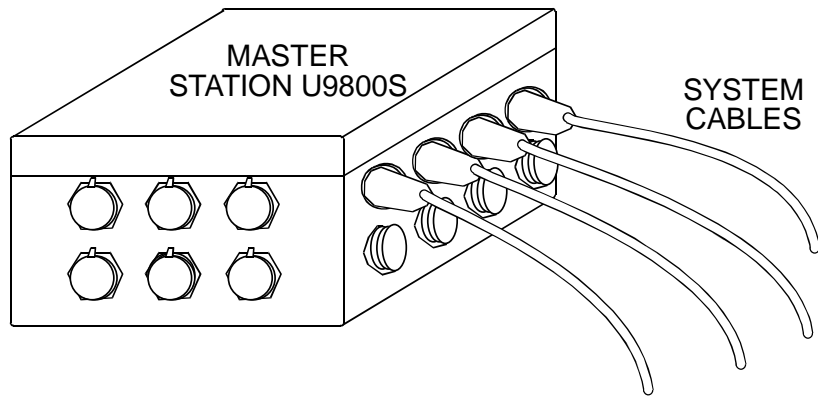


Figure 1: Master Station System Cable Connections

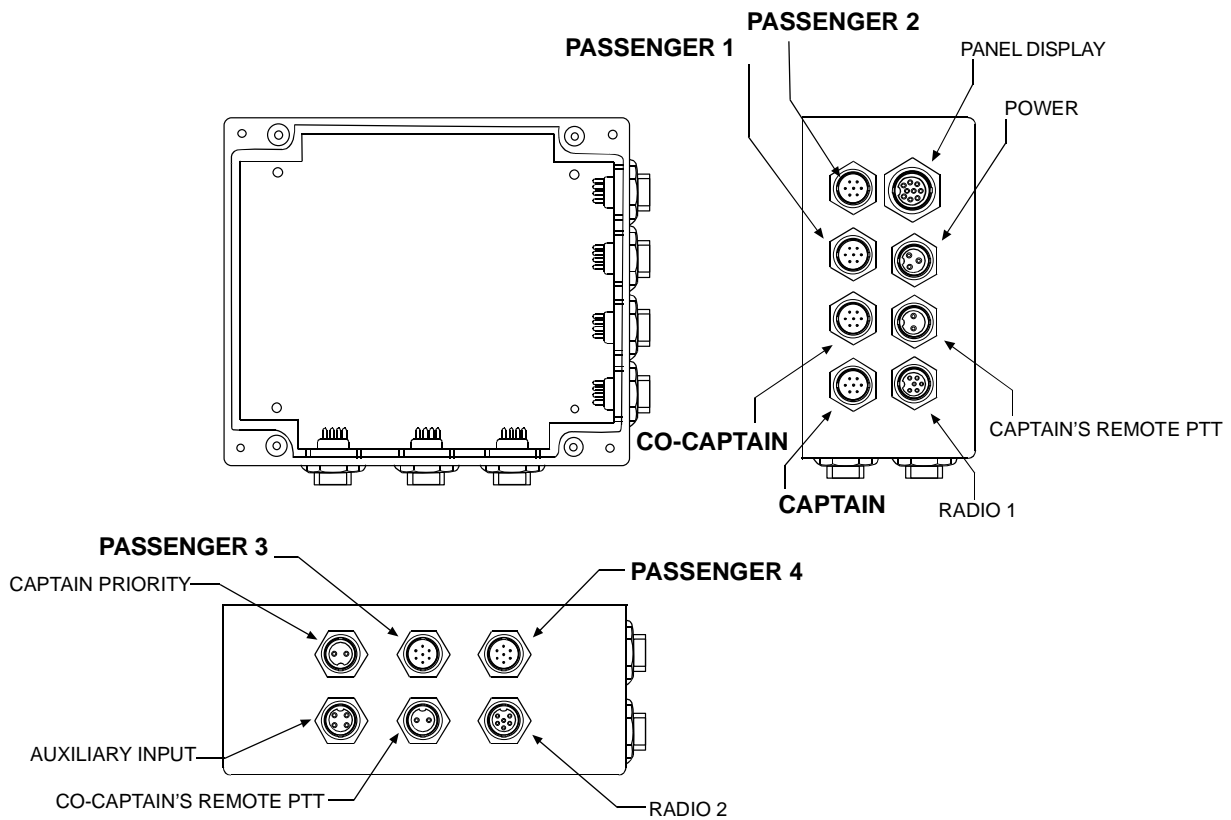


Figure 2: Master Station Connections

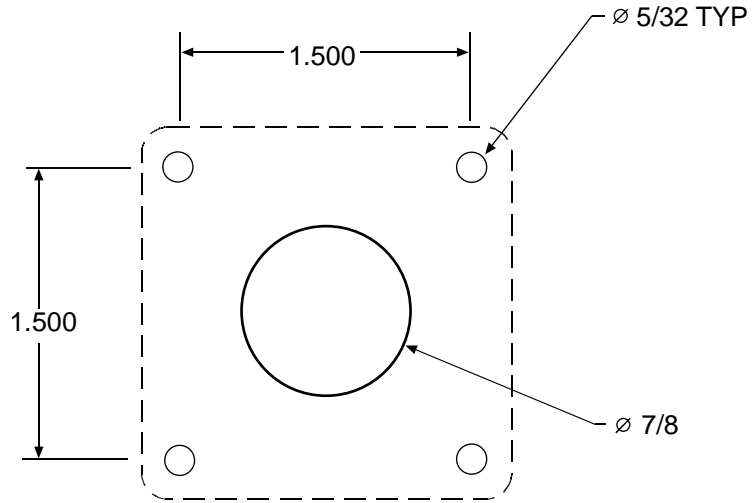


Figure 3: 40894G-XX Panel mounting template

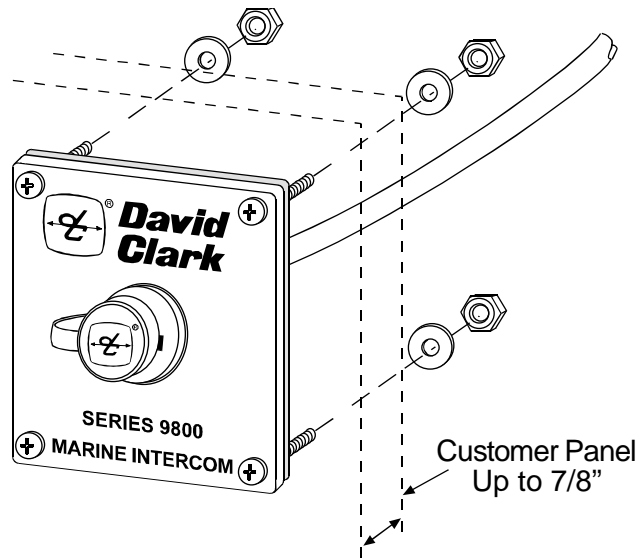


Figure 4: Proper mounting of 40894G-XX Panel-Mount System Cable

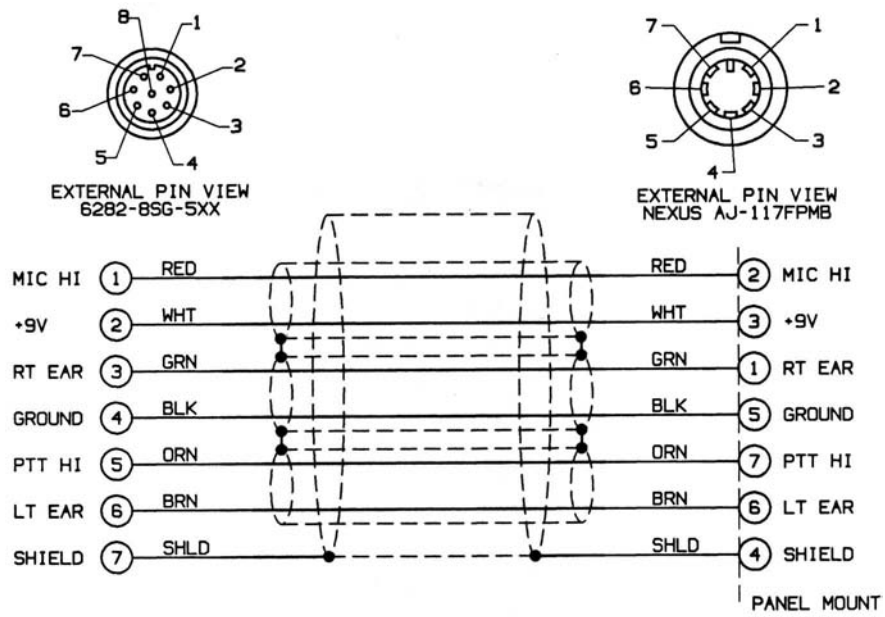


Fig. 5