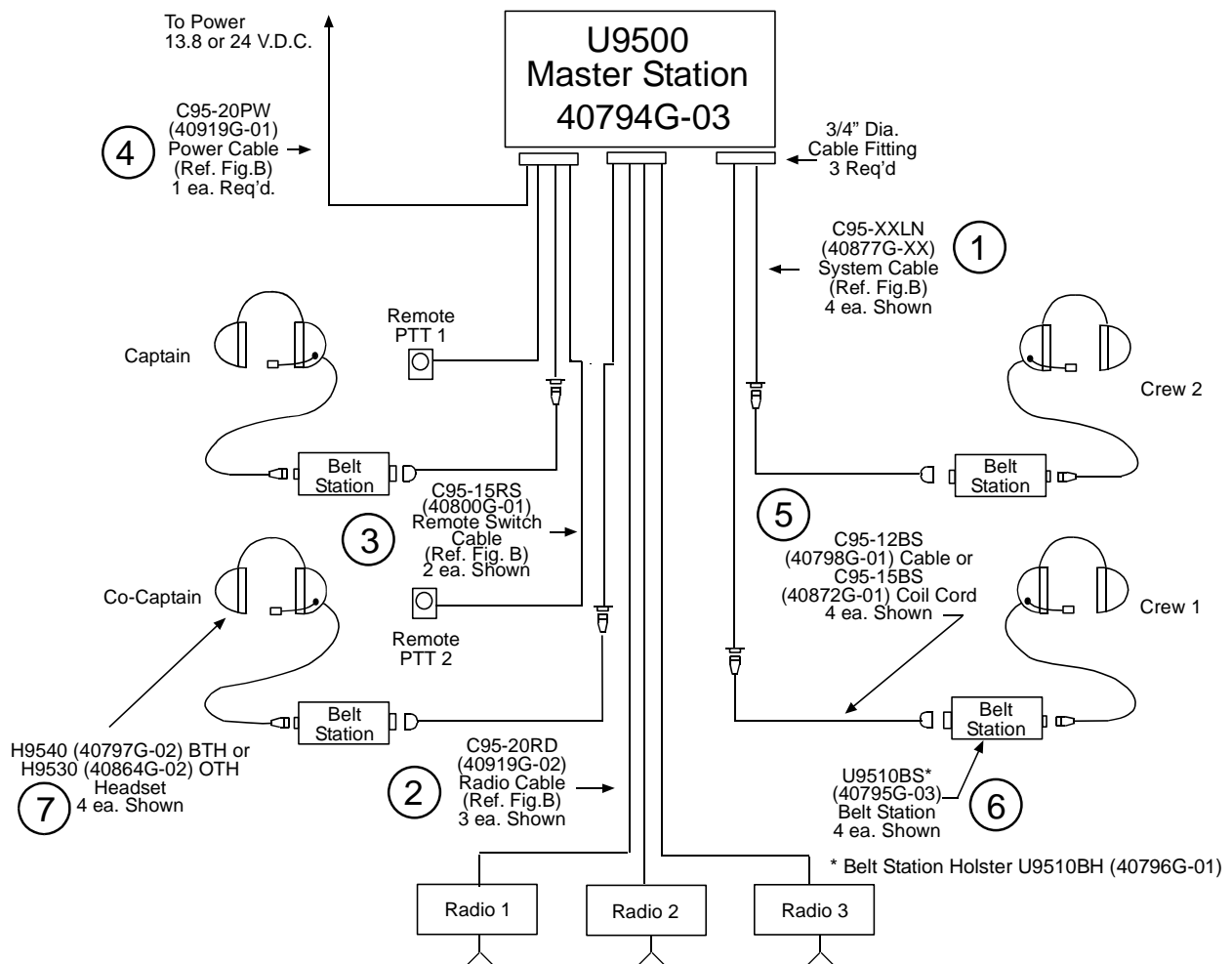


**C95-XXLN  
 SYSTEM CABLE  
 P/N 40877G-XX**

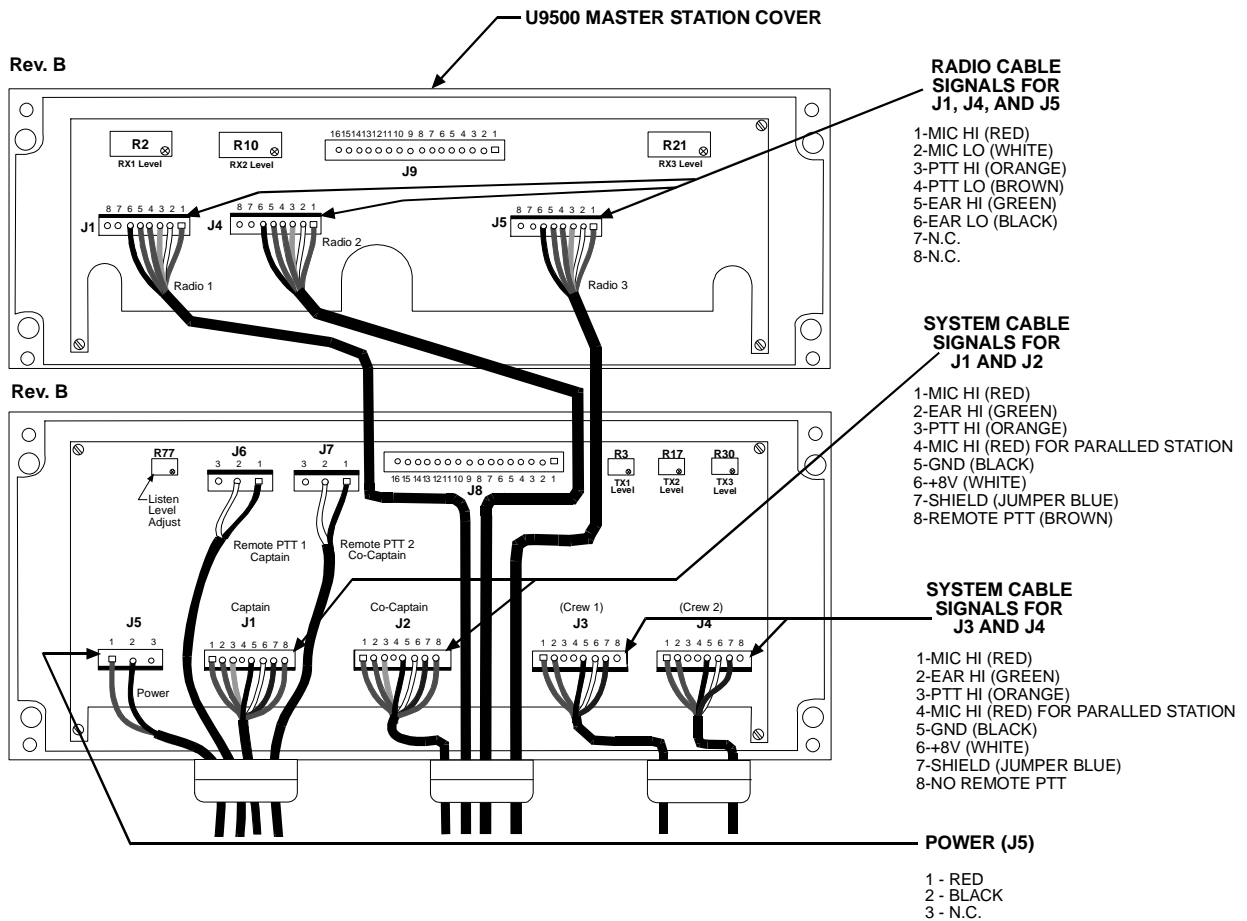
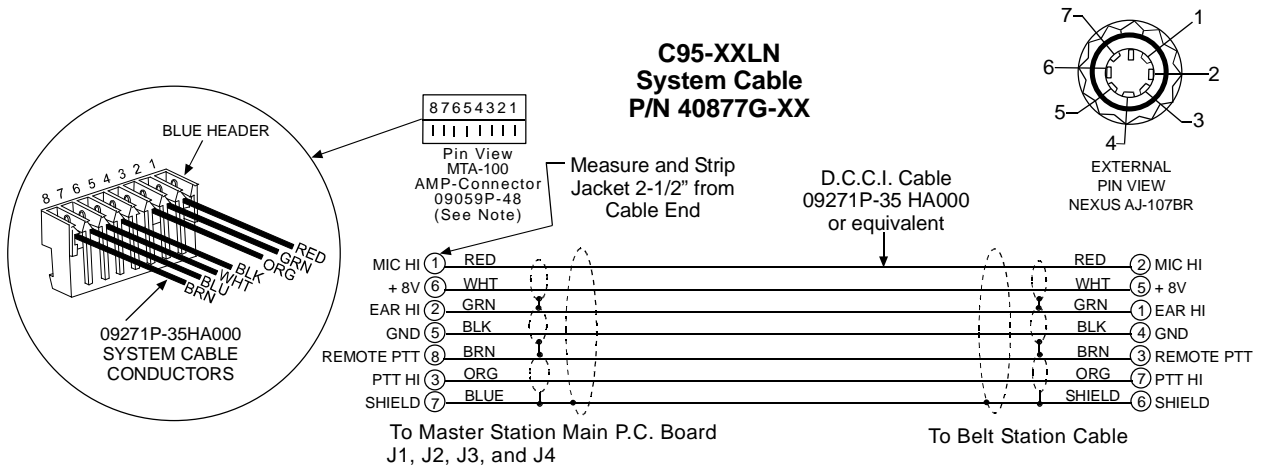
**INSTALLATION SHEET**

The C95-XXLN System Cable (labeled as Item 1 in Fig. A) is the link between the Master Station and Headset Belt Station. One System Cable is needed for each headset position on the boat.

The System Cable is prepped with approximately 2-1/2 inches of insulation stripped from cable end to be connected to the Master Station.



**Fig. A Marine Intercom System Block Diagram**



**Installation Wiring Configurations  
Fig. B**