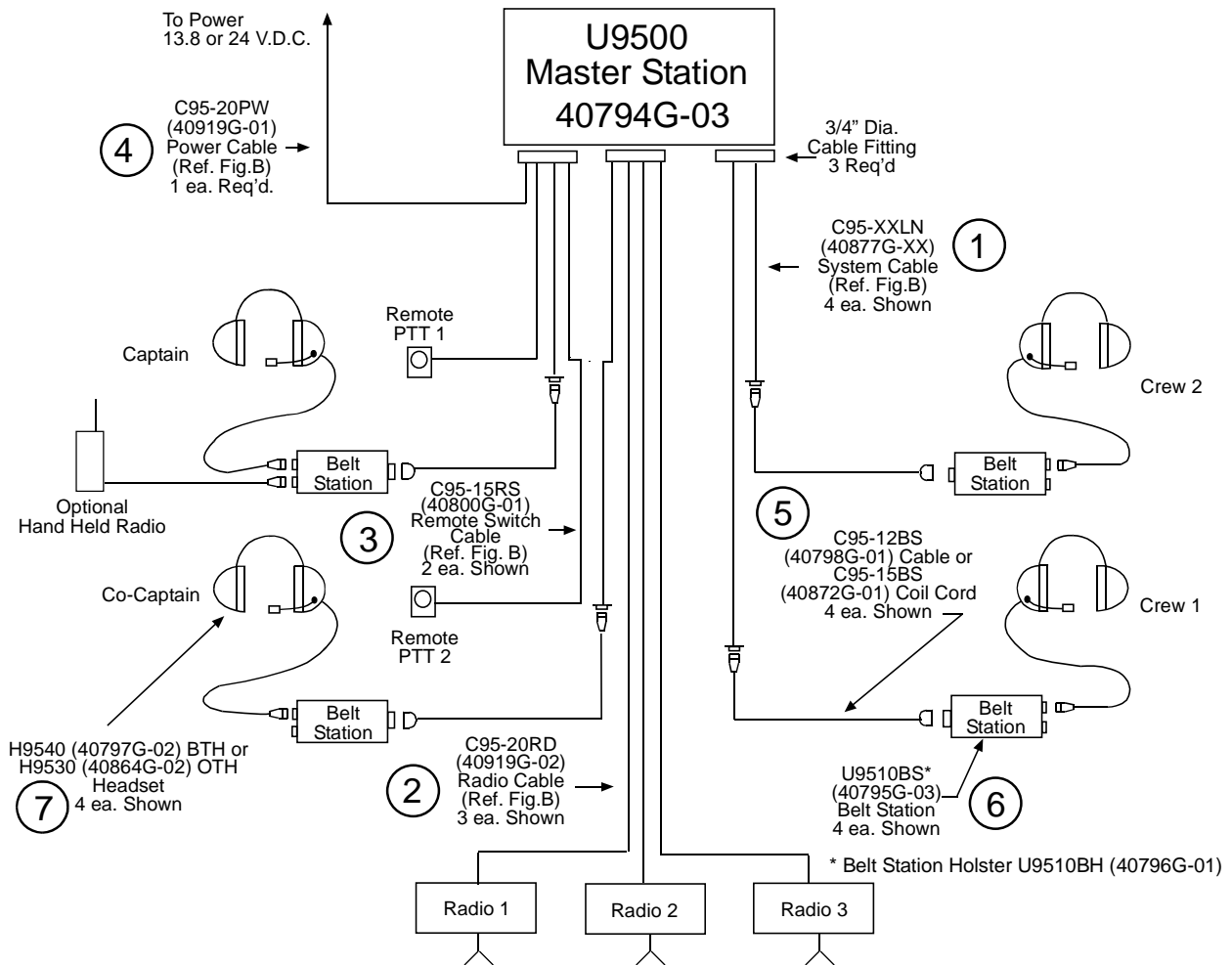




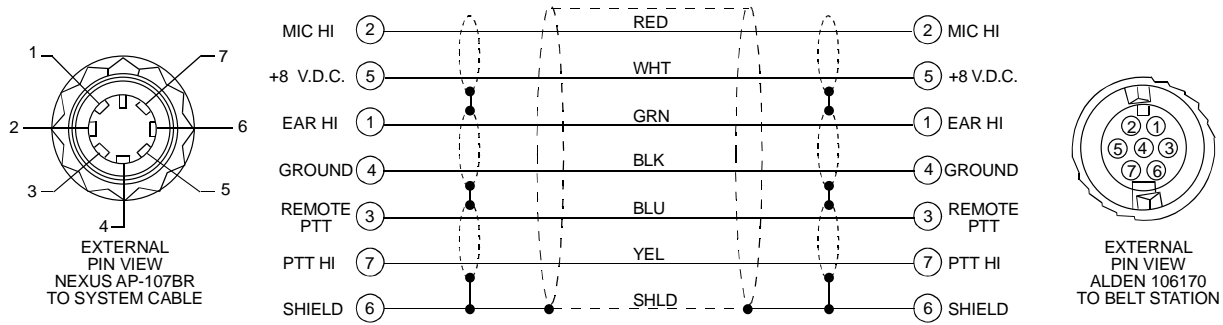
**C95-12BS  
 BELT STATION CABLE  
 P/N 40798G-01**

**INSTALLATION SHEET**

The C95-12BS Belt Station Cable (Item 5 in Fig. A) is an extension between the C95-XXLN System Cables and U9510BS Belt Stations. One end of the Belt Station Cable (the larger connector) plugs into the end of the C95-XXLN System Cable, while the other end plugs in the U9510BS Belt Station. One Belt Station Cable is required for each headset used in the system.



**Fig. A Marine Intercom System Block Diagram**

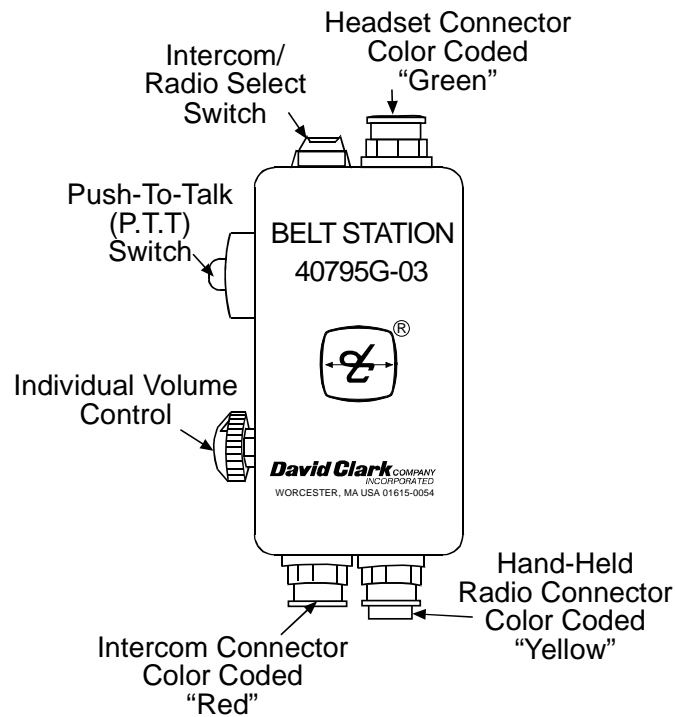


To connect the Belt Station Cable to the System Cable, simply align the keyways of the System Cable and Belt Station Cable and push together until they lock into place.

Disconnecting the Belt Station Cable from the System Cable simply requires pulling the two connectors apart until they release.

To connect the Belt Station Cable to the U9510BS Belt Station, simply align the two red lines, one on the Belt Station, and one on the Belt Station Cable connector, and push the two connectors together until the red lines are in alignment again.

To remove the Belt Station Cable from the Belt Station, simply turn the collar on the Belt Station Cable clockwise and pull firmly backwards.



**Fig. B Belt Station Connections**